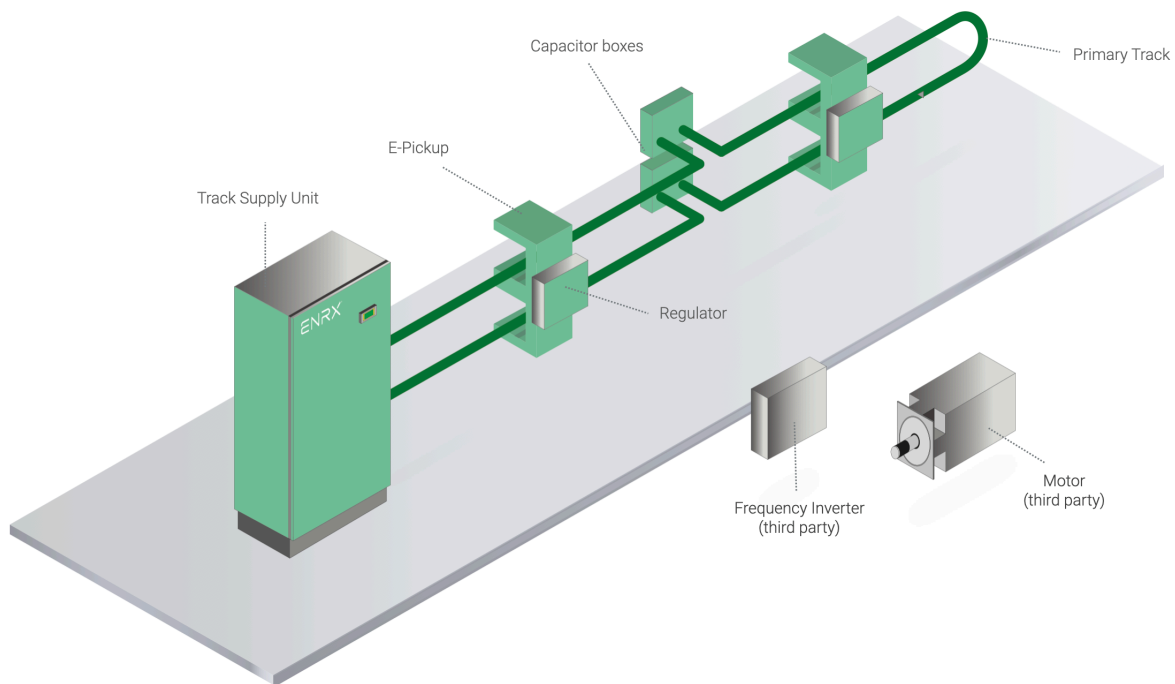


IPT POWER RAIL®

Contactless Inductive
Power Supply

Datasheets



ENRX IPT Power Rail system uses breakthrough induction technology to provide a contactless and reliable power solution adaptable across industries.

The IPT Power Rail by ENRX is a revolutionary family of systems for contactless power delivery to rail-mounted vehicles. It marks a significant leap in power supply technology, offering a high-speed, emission-free solution ideally suited for long-distance travel. Whether used in wet, damp, or water-related environments, the IPT Power Rail delivers unparalleled performance.

ENRX®

POWER IPT RAIL®

PRODUCT FEATURES

Low operating costs

Enjoy significant cost savings with our product that eliminates the need for any maintenance related to mechanical wear and tear.

High-Speed, unlimited movement

Designed for the rapid pace of the modern industry, it supports unlimited movements and exceptional travelling speeds without compromising safety or reliability.

Harsh and sensitive environment resilience

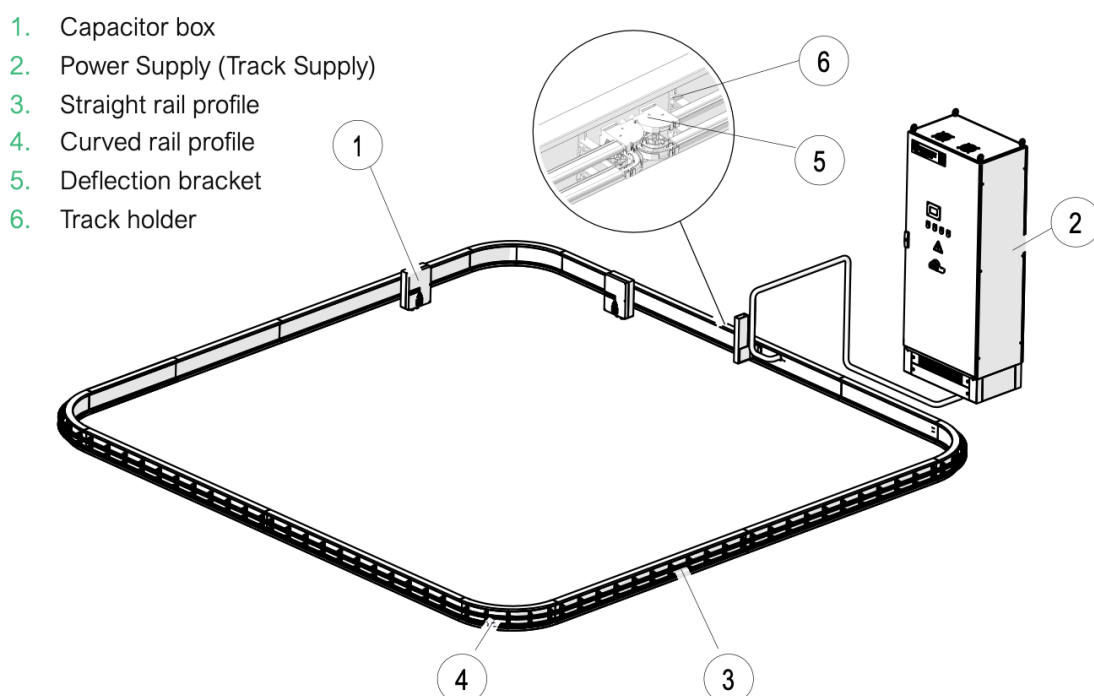
With a robust design that withstands extreme conditions, the IPT Power Rail excels in harsh industrial settings and controlled cleanrooms.

Modular Design for long-distance tracks

The IPT Power Rail's modular setup is ideal for extended track applications, allowing for scalable configurations.

APPLICATION AREAS

The IPT Power Rail system from ENRX is meticulously designed for contactless energy delivery, ensuring clean and stable power in sensitive cleanrooms, providing amusement rides with safe and underwater power transfer capabilities, enabling high-speed, maintenance-free operation for sorter systems in logistic centers and airports, and offering seamless power continuity for Automated Storage and Retrieval Systems in modern warehousing.



E-Pickup 1.5 kW

EPU04-001500

Input: ENRX IPT® TRX-61 (80 A, 20 kHz) alternating magnetic field

Output: 1.6 kW, 20 kHz



Electrical Data

| Category | Value |
|---------------------------|---|
| Input | ENRX IPT® TRX-61 (80 A, 20 kHz) alternating magnetic field |
| Nominal peak output power | max. 1500 W under adequate condition of operation |
| Continuous output power | 1500 W at 20°C ambient with > 1 m/s air flow 600 W (1500 W 40% duty cycle within 10-minute period) at 40°C ambient with > 1 m/s air flow Note: Air flow requirements for the Power Regulator may be different. Usable output power depends on regulator connected (see corresponding manual) |
| Output voltage | 410 V AC at 1500 W (nominal air gap) 170 V AC at 600 W (nominal air gap) 83 V AC open circuit (nominal air gap and disconnected from Regulator) Usable output voltage depends on regulator connected (see corresponding manual) |
| Output current | 19 A AC at 1500 W, 7A AC at 600 W Usable output current depends on regulator connected (see corresponding manual) |
| Heat loss | Approximately 20 W at 1500 W |
| Electrical protection | Class II (reinforced internal insulation) |
| Insulation to Ground | Output to Ground tested at 5 kV DC / 1 sec. |



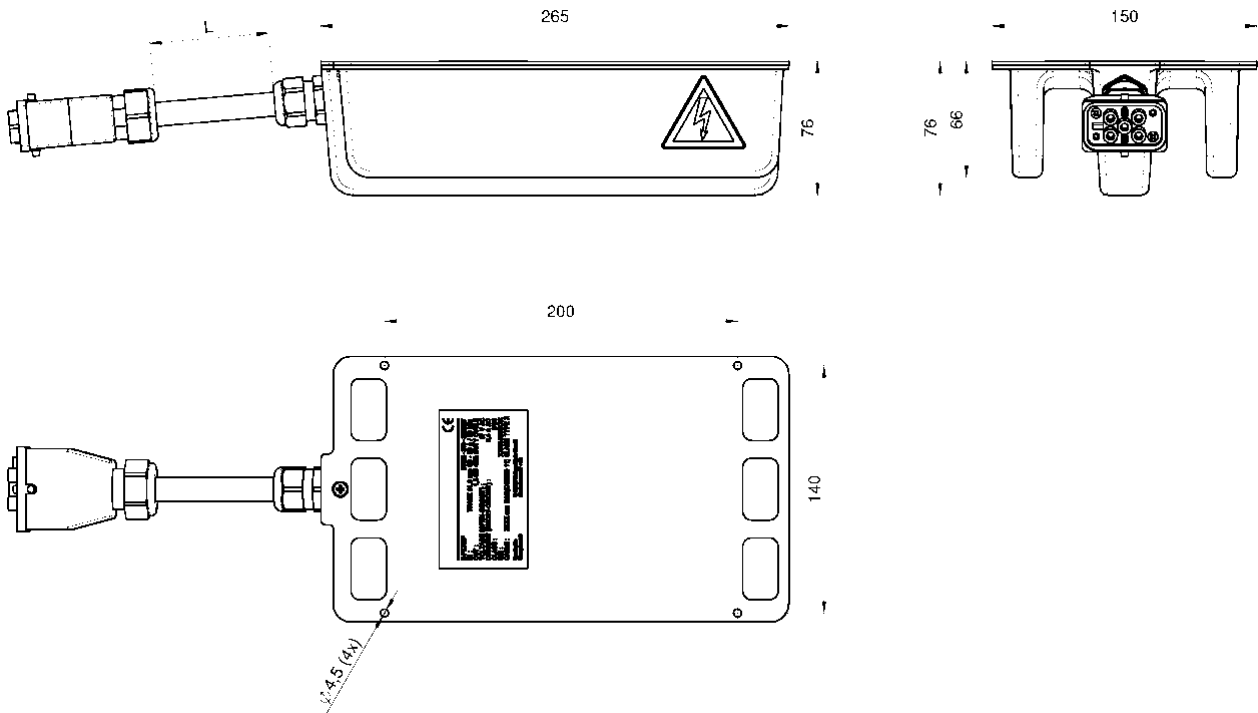
Environmental Data

| Category | Value |
|-----------------------|--|
| Storage temperature | -20°C to +60°C |
| Transport temperature | -40°C to +80°C |
| Ambient temperature | +0°C to +40°C Air temperature as measured in immediate vicinity of working device. Please note that the heat loss of the device will raise the ambient temperature, especially in enclosed mounting spaces. |
| Operation | For indoor operation only. |
| Humidity | < 95%, non-condensing |
| Chemical resistance | For industrial use without special conditions. Any specific influences of chemicals must be checked. |
| Protection rating | IP54 when plug is in place. |
| EMC environment | The device is designed for use in industrial environments (EN55011 Class A). |
| Installation altitude | Up to 1000 m; continuous output power must be de-rated for higher altitudes. |

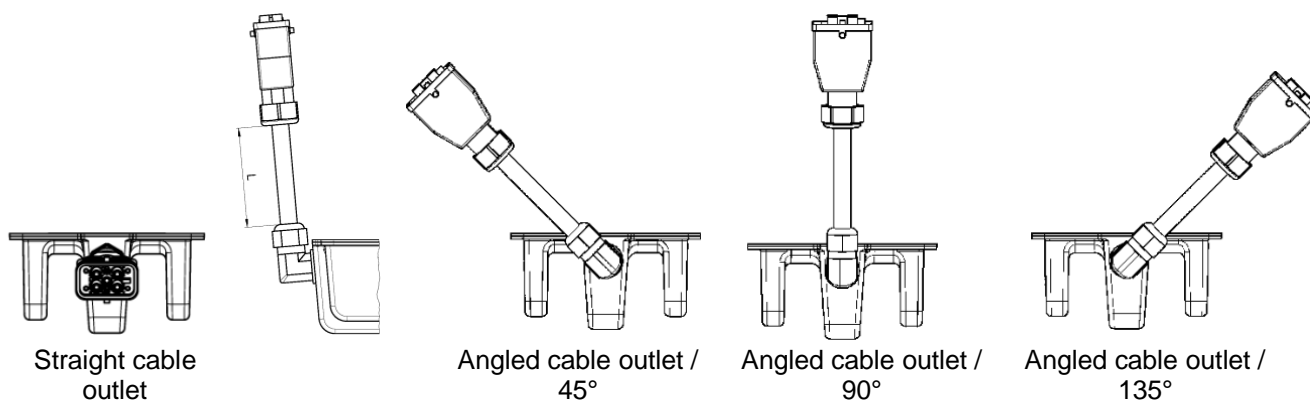
Mechanical Integration

| Category | Value |
|----------------------|---|
| Dimensions | 265 x 150 x 76 (L x W x H) [mm] |
| Weight | ~ 4.2 kg |
| Surface temperatures | Surface temperature may reach up to 70°C depending on operating conditions. |

Dimensions of cable Output straight



Dimensions of cable Output straight



Order numbers

| Part No. | Product Description | Packaging Unit |
|------------|--|----------------|
| 3070800-01 | E-PICKUP 1.5 kW, S, 1150 mm, PL-S | 36 pcs. |
| 3070800-02 | E-PICKUP 1.5 kW, A, 45°, 1150 mm, PL-S | 36 pcs. |
| 3070800-03 | E-PICKUP 1.5 kW, A, 90°, 1150 mm, PL-S | 36 pcs. |
| 3070800-04 | E-PICKUP 1.5 kW, A, 135° 1150 mm, PL-S | 36 pcs. |
| 3070800-05 | E-PICKUP 1.5 kW, S, 420 mm, PL-S | 36 pcs. |
| 3070800-06 | E-PICKUP 1.5 kW, A, 45°, 420 mm, PL-S | 36 pcs. |
| 3070800-07 | E-PICKUP 1.5 kW, A, 90°, 420 mm, PL-S | 36 pcs. |
| 3070800-08 | E-PICKUP 1.5 kW, A, 135°, 420 mm, PL-S | 36 pcs. |

*S = straight, A = angled, PL-S = Plug straight

Note: Matching Regulators must be ordered separately.

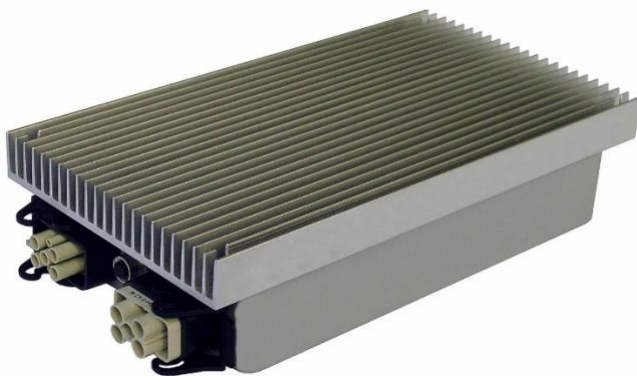
EFD INDUCTION AND IPT TECHNOLOGY ARE NOW ENRX.

Inductive Power Regulator

IPR04-001500

Input: 1.6 kW, 20 kHz

Output: up to 1.1kW / 48VDC - 1.5kW / 70VDC



Electrical Data

| Category | Value |
|---|---|
| Input Power | 1.6 kW, 20 kHz |
| Output voltage | Configurable 48 V DC \pm 2% 54 V DC \pm 2% 60 V DC \pm 2% 65 V DC \pm 2% 70 V DC \pm 2% |
| Nominal Peak output power at 65 V DC | 1.5 kW |
| Total overall output power according to EN60034-1 S3 mode at 20 °C | 1.1 kW @ 48 V DC / 1.2 kW @ 54 V DC / 1.4 kW @ 60 V DC / 1.5 kW @ 65 V DC / 1.5 kW @ 70 V DC at 20°C ambient with 1m/s air flow - max. load at 40 % Duty Cycle over 10-minute period (math. integral) |
| Continuous overall output power according to EN60034-1 S1 mode at 40 °C | 440 W @ 48 V DC / 500 W @ 54 V DC / 560 W @ 60 V DC / 600 W @ 65 V DC / 600 W @ 70 V DC at 40°C ambient with 1m/s air flow |



ENRX IPT® Datasheet Inductive Power Regulator

| Category | Value |
|----------------------------------|--|
| Maximum dc output current | 48 V - 32 A, 54 V - 30 A, 60 V - 28 A, 65 V - 26 A, 70 V - 24 A |
| Heat loss | ~ 100 W at full load. |
| No Load Power Consumption | 8.7 W (enabled) or 4.25 W (disabled) |
| Maximum rate of load application | 1 A / msec |
| Electrical protection | Class II (reinforced internal insulation, X1, X2). |
| Insulation | Output to Ground or Interface X3: production tested at 2.5 kV DC / 1 sec. Interface to Ground tested at 500 V DC / 1 sec. |
| Auxiliary 24 Vdc maximum current | 150 mA DC (X3) Functional Extra Low Voltage (FELV) output voltage. |

Environmental Data

| Category | Value |
|---------------------------------|--|
| Storage temperature | - 20°C to + 60°C ¹ |
| Transport temperature | - 40°C to + 80°C ¹ |
| Ambient temperature (operation) | 0°C to + 40°C ¹ Air temperature as measured in immediate vicinity of working device. Please note that the heat loss of the Inductive Power Regulator will raise the ambient temperature, especially in enclosed mounting spaces. |
| Operation | For indoor operation only. |
| Humidity | < 95%, non-condensing. |
| Chemical resistance | For industrial use without special conditions. Any specific influences of chemicals must be checked. |
| Protection rating | IP54 when plugs are in place. |
| EMC environment | The device is designed for use in industrial environments (EN60001-6-2, EN55011 Class A). |
| Installation altitude | Up to 1000 m; continuous output power must be de-rated for higher altitudes. |

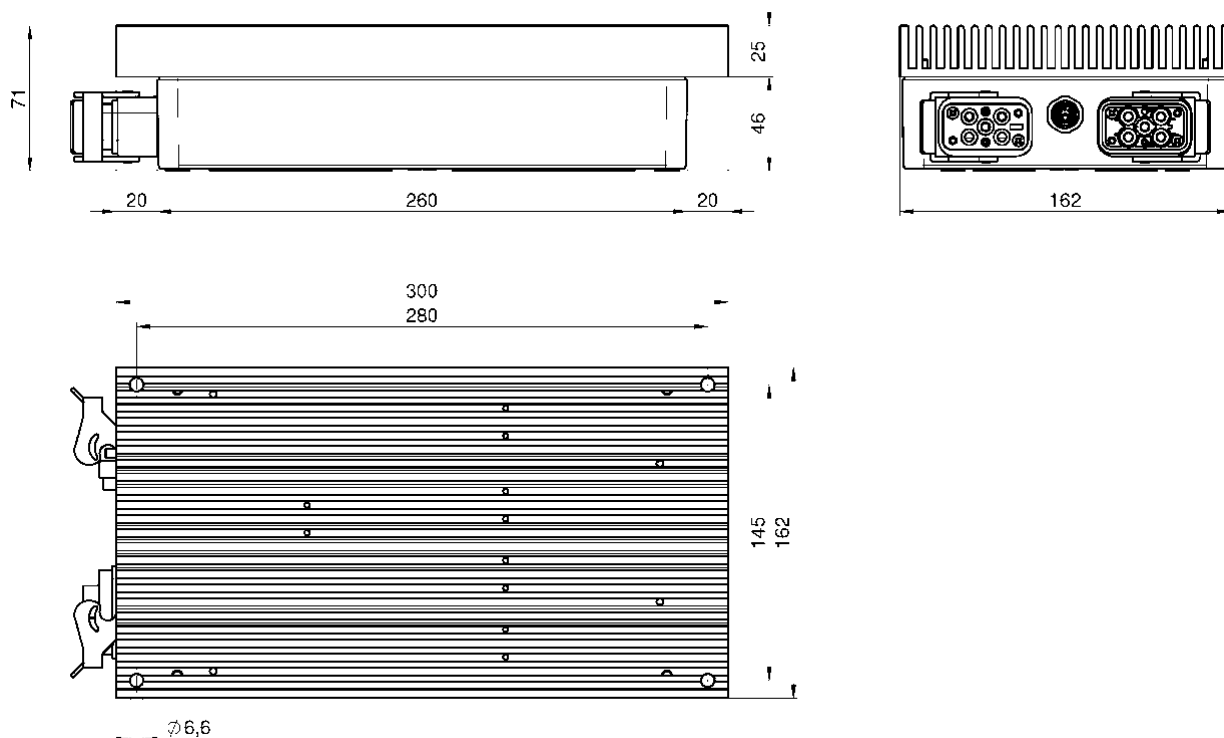
¹ If the storage temperature or ambient temperature is lower than the specified operating temperature, proceed as described below prior to commissioning the device:

- Store the device unloaded and switched-off for at least 12 hours at operating temperature.

Mechanical Integration

| Category | Value |
|-------------------------|---|
| Dimensions | See drawing |
| Weight | 4.1 kg (without cables or pickup) |
| Surface temperatures | Heatsink surface temperature may reach up to 70°C depending on operating conditions. To a lesser extent the housing may also get hot. |
| Positioning of Heatsink | Heatsink should be mounted with fins vertically and aligned to direction of airflow. |

Dimensions



ENRX IPT[®] Datasheet Inductive Power Regulator

Order numbers

| Part No. | Product Description | Packaging Unit |
|------------|----------------------------|----------------|
| 3060800-01 | REGULATOR 1.5 kW, 70 V, DC | 36 pcs. |
| 3060800-02 | REGULATOR 1.5 kW, 65 V, DC | 36 pcs. |
| 3060800-03 | REGULATOR 1.4 kW, 60 V, DC | 36 pcs. |
| 3060800-04 | REGULATOR 1.2 kW, 54 V, DC | 36 pcs. |
| 3060800-05 | REGULATOR 1.1 kW, 48 V, DC | 36 pcs. |

Note: Matching Pickups must be ordered separately. Additional material is needed for the operation.

EFD INDUCTION AND IPT TECHNOLOGY ARE NOW ENRX.

Inductive Power Supply 16 kW

IPS04-016000

Grid Input: 400-415 V, 440 V, 50 Hz or 480 V, 60 Hz

Track Output: 80 A, 20 kHz or 125 A, 20 kHz



Electrical Power Data

| Category | Value |
|---------------------------------------|--|
| Output power (cont.) | 16 kW at max. 40 °C (104 °F) for 400-415 V and 480 V versions at max. 35 °C (95 °F) for 440 V versions |
| Power De-rating (ambient temperature) | 400-415 V: 40 °C to 55 °C -3% power reduction per °C 440 V: 35 °C to 55 °C -3% power reduction per °C 480 V: 40 °C to 55 °C -3% power reduction per °C |
| Peak power | 137% (22 kW) for a maximum of 1 minute every 10 minutes and an average load reduction to 13 kW 400-415 V: at max. 40 °C* 440 V: at max. 35 °C* 480 V: at max. 40 °C* *without power de-rating |
| Output current | 80 A or 125 A □ 2 A @ 20 kHz □ 50 Hz |
| Optimal load track inductance | 58 μH (up to 60 μH) for 80 A IPS 26 μH (up to 28 μH) for 125 A IPS |
| Nominal output voltage range | 560 - 665 V rms (80 A), 380 - 475 V rms (125 A). Overloads will increase the voltage. |
| Impedance output to PE | 180 Ohm (capacitive reference) |
| Connection to primary cable | Stainless Steel M8 bolts for 35 mm ² and 20 mm ² HF Litz wires. |



ENRX IPT® Datasheet Inductive Power Supply 16 kW

Electrical Input Data for 400-415 V Versions

| Category | Value |
|--------------------------------|--|
| Input nominal supply voltage | 400-415 V / 50 Hz, 3-phase symmetric, neutral grounded |
| Supply voltage tolerance | -10% to + 10%, with proportional continuous power de-rating for input voltages other than nominal value |
| Efficiency at rated load | 94% |
| Power factor (cos φ) | 0.89 |
| Supply current | 29 A at rated power / voltage |
| Input connector | Supplied HAN-6HSB with M32 cable gland. Maximum outside cable diameter is 18 mm. Use flexible cable 6 mm ² . |
| Input leakage current | 16 mA rms in standby. Occasional 200 mA peak pulses for 250 μ sec at rated load. Ground leakage equipment must be rated accordingly if used. |
| Internal fuses | 35 A. Semiconductor and wiring protection |
| Harmonic currents (rated load) | 5th -8.5dB, 7th -18.7dB, 11th -23.2dB, 13th -32.6dB (on fundamental) Values can vary depending on the mains impedance. |

Electrical Input Data for 440 V Versions

| Category | Value |
|-------------------------------|--|
| Input nominal supply voltage | 440 V / 50 Hz, 3-phase symmetric, neutral grounded |
| Supply voltage tolerance | -10% to +10%, with proportional continuous power de-rating for input voltages other than nominal value |
| Efficiency at rated load | 94% |
| Power factor (cos φ) | 0.89 |
| Supply current | 27 A at rated power / voltage |
| Input connector | Supplied HAN-K12/2 with M32 cable gland. Maximum outside cable diameter is 18 mm (0.7"). Use flexible cable 6 mm ² . |
| Input leakage current | 19 mA rms in standby. Occasional 200 mA peak pulses for 250 μ sec at rated load. Ground leakage equipment must be rated accordingly if used. |
| Internal fuses | 35 A. Semiconductor and wiring protection |
| Harmonic current (rated load) | 5. -6.8dB, 7. -15.0dB, 11. -24.8dB, 13. -28.6dB (on fundamental) Values can vary depending on the mains impedance. |

ENRX IPT® Datasheet Inductive Power Supply 16 kW

Electrical Input Data for 480 V / 277 V Versions

| Category | Value |
|-------------------------------|--|
| Input nominal supply voltage | 480 V / 277 V / 60 Hz, 3-phase symmetric, neutral grounded |
| Supply voltage tolerance | -10% to + 10%, with proportional cont. power de-rating for input voltages other than nominal value |
| Efficiency at rated load | 94% |
| Power factor (cos φ) | 0.89 |
| Supply current | 24 A at rated power / voltage |
| Input connector (X2) | Maximum outside cable diameter is 18 mm. Use flexible cable 6 mm ² . |
| Input leakage current | 19 mA rms in standby. Occasional 200 mA peak pulses for 250 μ sec at rated load. Ground leakage equipment must be rated accordingly if used. |
| Internal fuses | 30 A. Semiconductor and wiring protection |
| Harmonic current (rated load) | 5. -8.5dB, 7. -17dB, 11. -21.4 dB, 13. -28.4dB (on fundamental) Values can vary depending on the mains impedance. |

Physical Data

| Category | Value |
|------------------|---|
| Noise levels | During operation 65 dBA (at 1 m distance standing in front of the device) |
| Air volume moved | 50 m ³ / hour (air recirculation) |
| Fan | 3 axial fans |

Environmental Data

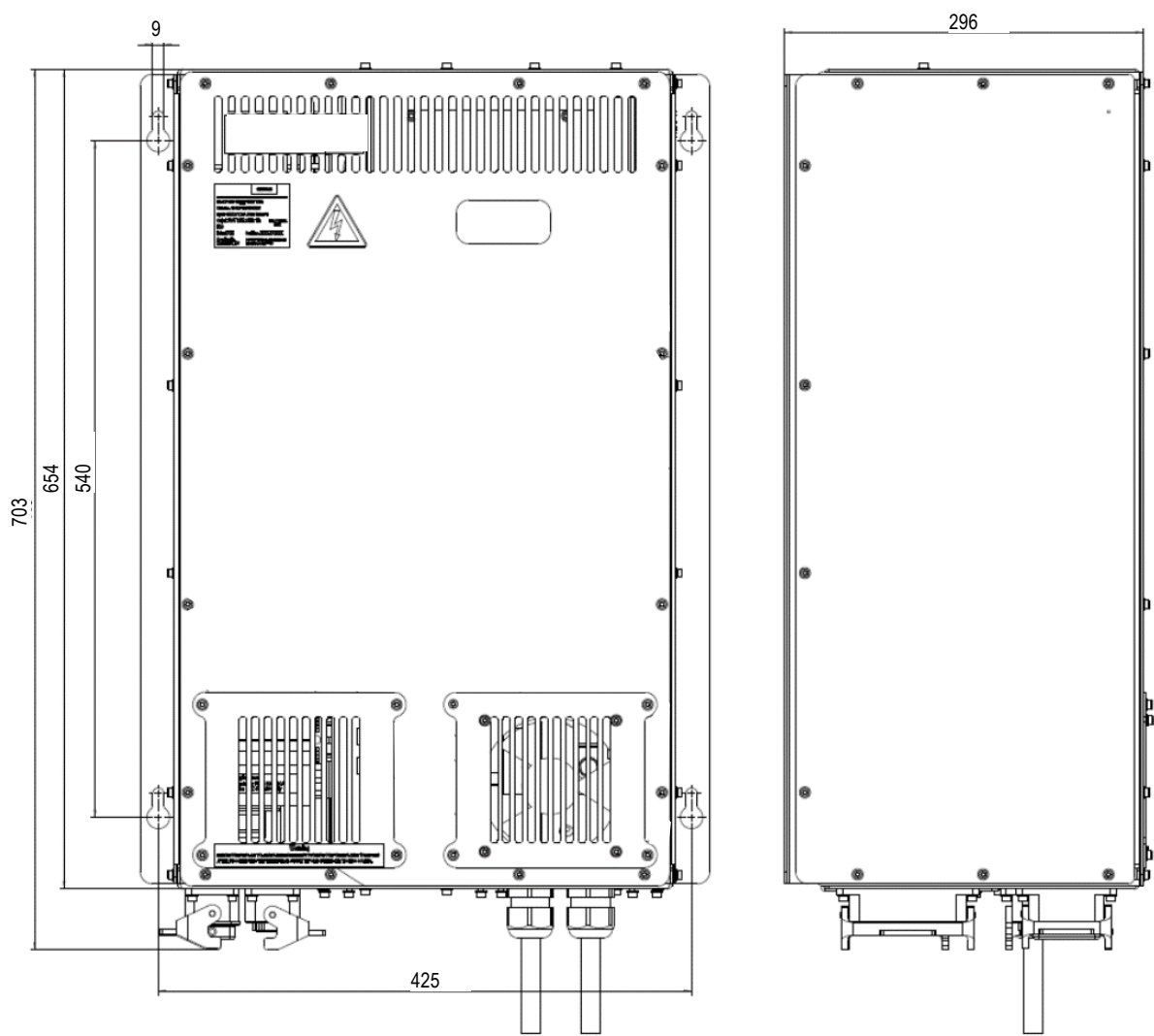
| Category | Value |
|-------------------------|--|
| Ambient temperature | +5 °C (41 °F) to +55 °C (131 °F) |
| Humidity | < 90% non-condensing |
| Ambient air | No salt water, no conductive dry or wet dust! (E.g., carbon fibres). Avoid extreme environment conditions (e.g., very dusty, oily and/or chemical influences) |
| Altitude de-rating | 1% of power / 100 m (328 ft) above 1000 m (3281 ft), up to a max. of 3000 m (9842.5 ft) above sea level |
| IP classification | IP 20 (limited by exhaust vents on top and other ventilation openings) |
| Pollution Degree | PD = 2. Non conducting pollution present, that may become temporarily conducting if moisture is present after switching off. |
| Storage temperature | -20 °C (-4 °F) to +60 °C (140 °F) |
| Transport temperature | -20 °C (-4 °F) to +70 °C (158 °F) |
| Maximum Vibration | 3 mm (0.1") at 2 - 9 Hz, max. acceleration 0,5 g at 9 – 200 Hz |
| Maximum operating shock | 8 g, 11 ms |
| Maximum shipping shock | 15 g, 11 ms in packaging / transport box |

ENRX IPT® Datasheet Inductive Power Supply 16 kW

Mechanical Integration

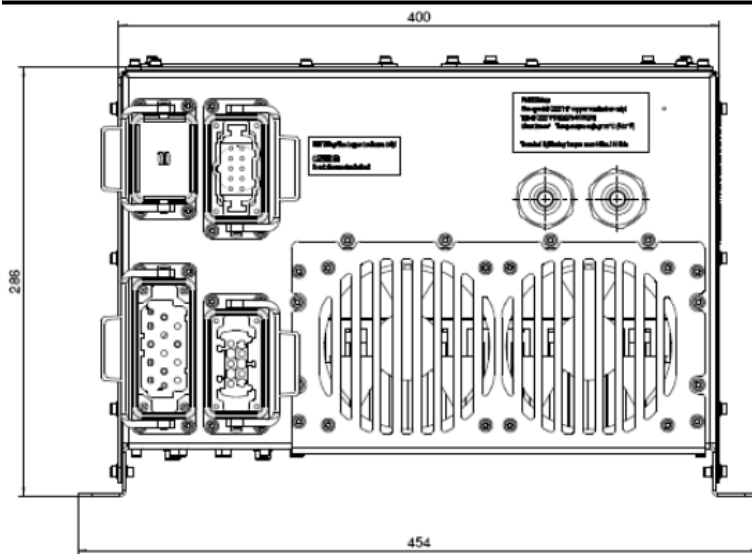
| Category | Value |
|-------------------------------|---|
| Cabinet Sheet | Metal housing |
| Dimensions | See the following drawing |
| Nom. colour housing (outside) | RAL XXXX; delivered colour see type plate on IPS ¹ |
| Weight | ~ 56 kg (123.5 lbs) |

Dimensions



¹ Colors are configurable prior to production.

ENRX IPT® Datasheet Inductive Power Supply 16 kW



Order numbers

| Part No. | Product Description | Packaging Unit |
|------------|--|----------------|
| 3090800-01 | POWER SUPPLY 16 kW, VENTILATOR, IP20, 400 V, 80 A | 1 pc. |
| 3090800-02 | POWER SUPPLY 16 kW, VENTILATOR, IP20, 400 V, 125 A | 1 pc. |
| 3090800-03 | POWER SUPPLY 16 kW, VENTILATOR, IP20, 480 V, 80 A | 1 pc. |
| 3090800-04 | POWER SUPPLY 16 kW, VENTILATOR, IP20, 480 V, 125 A | 1 pc. |
| 3090800-05 | POWER SUPPLY 16 kW, VENTILATOR, IP20, 440 V, 125 A | 1 pc. |

EFD INDUCTION AND IPT TECHNOLOGY ARE NOW ENRX.

Inductive Power Supply 16 kW (IP54)

IPS04-016000

Grid Input: 400-415 V, 50 Hz or 480 V, 60 Hz

Track Output: 80 A, 20 kHz or 125 A, 20 kHz



Electrical Power Data

| Category | Value |
|-------------------------------|--|
| Output power (cont.) | 16 kW at max. 40 °C for 400-415 V and 480 V versions |
| Power De-rating | 400-415 V: 40 °C to 55 °C -3% power reduction per °C 480 V: 40 °C to 55 °C -3% power reduction per °C |
| Peak power | 137% (22 kW) for a maximum of 1 minute every 10 minutes and an average load reduction to 13 kW 400-415 V: at max. 40 °C* 480 V: at max. 40 °C* *without power de-rating |
| Output current | 80 A or 125 A □ +/-2 A @ 20 kHz □ +/-50 Hz |
| Optimal load track inductance | 58 µH (up to 60 µH) for 80 A IPS 26 µH (up to 28 µH) for 125 A IPS |
| Nominal output voltage range | 560 - 665 V rms (80 A), 380 - 475 V rms (125 A). Overloads will increase the voltage. |
| Impedance output to PE | 180 Ohm (capacitive reference) |
| Connection to primary cable | Stainless Steel M8 bolts for 35 mm ² and 20 mm ² Litz cable. Stranded cable max. connecting torque range 9-10 Nm. |



ENRX IPT® Datasheet Inductive Power Supply 16 kW (IP54)

Electrical Input Data for 400-415 V Versions

| Category | Value |
|--------------------------------|--|
| Input nominal supply voltage | 400-415 V / 50 Hz, 3-phase symmetric, neutral grounded |
| Supply voltage tolerance | -10% to + 10%, with proportional continuous power de-rating for input voltages other than nominal value |
| Efficiency at rated load | 94% |
| Power factor (cos φ) | 0.89 |
| Supply current | 29 A at rated power / voltage |
| Connection to terminals | M40 cable gland. Maximum cable diameter approx. 30 mm. (Use of flexible cables 4x16 mm ² recommended.) |
| Input connector | Supplied HAN-6HSB with M32 cable gland. Maximum outside cable diameter is 18 mm. Use flexible cable 6 mm ² . |
| Input leakage current | 16 mA rms in standby. Occasional 200 mA peak pulses for 250 μ sec at rated load. Ground leakage equipment must be rated accordingly if used. |
| Internal fuses | 40 A protection of IPS 35 A. Semiconductor and wiring protection |
| Harmonic currents (rated load) | 5th -8.5dB, 7th -18.7dB, 11th -23.2dB, 13th -32.6dB (on fundamental) Values can vary depending on the mains impedance. |

Electrical Output Data for 480 V / 277 V Versions

| Category | Value |
|-------------------------------|--|
| Input nominal supply voltage | 480 V / 277 V / 60 Hz, 3-phase symmetric, neutral grounded |
| Supply voltage tolerance | -10% to + 10%, with proportional cont. power de-rating for input voltages other than nominal value |
| Efficiency at rated load | 94% |
| Power factor (cos φ) | 0.89 |
| Supply current | 24 A at rated power / voltage |
| Connection to terminals | M40 cable gland The cable outer diameter is 28 mm. (Use of a flexible cable 4x16 mm ² recommended) |
| Input connector (X2) | Maximum outside cable diameter is 18 mm. Use flexible cable 6 mm ² . |
| Input leakage current | 19 mA rms in standby. Occasional 200 mA peak pulses for 250 μ sec at rated load. Ground leakage equipment must be rated accordingly if used. |
| Internal fuses | 35 A protection of IPS 30 A. Semiconductor and wiring protection |
| Harmonic current (rated load) | 5. -8.5dB, 7. -17dB, 11. -21.4 dB, 13. -28.4dB (on fundamental) Values can vary depending on the mains impedance. |

ENRX IPT® Datasheet Inductive Power Supply 16 kW (IP54)

Physical Data of forced air cooling type

| Category | Value |
|-------------------|---|
| Noise emission | During operation 65 dBA at 2 m distance from the device |
| Moving air volume | 2 x 700 m ³ / hours (air circulation) |
| Ventilator | 2 axial ventilators |
| Protection class | IP54 |

Physical Data of air conditioning type

| Category | Value |
|---------------------|---|
| Noise emission | During operation 65 dBA at 2 m distance from the device |
| Ventilation/cooling | air conditioning unit type RITTAL TopTherm SK 3328.540 |
| Ventilator | axial ventilator (internal air circulation) |
| Protection class | IP54 |

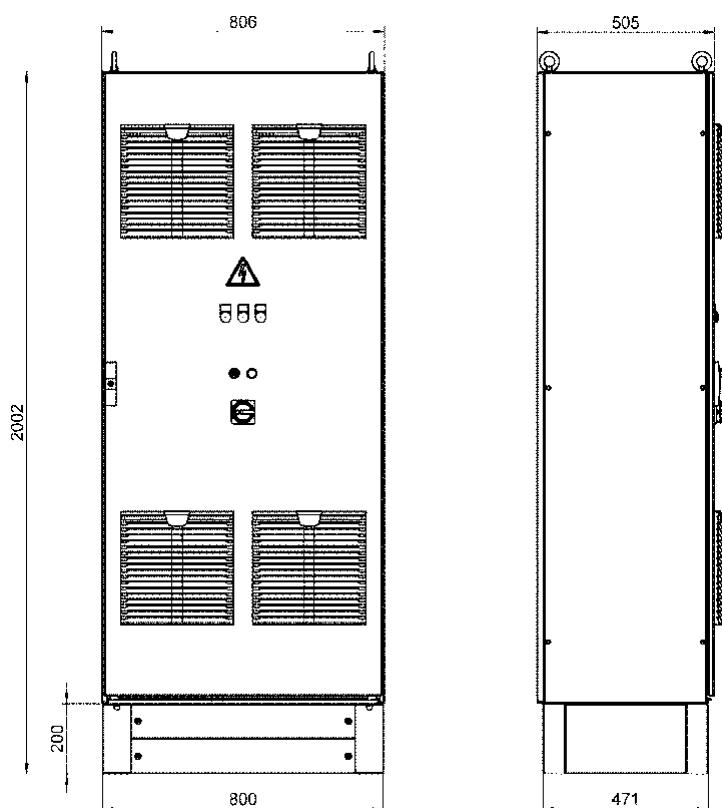
Environmental Data

| Category | Value |
|-------------------------|---|
| Ambient temperature | +5 °C to +55 °C + 5° C to +35° C (with ventilator) / + 5° C to +50° C (with air conditioning) Power reduction -3% / °C between 40° C and 55° C (At the inside!) |
| Humidity | < 90% non-condensing |
| Ambient air | No salt water, no conductive dry or wet dust! (E.g., carbon fibres). Avoid extreme environment conditions (e.g., very dusty, oily and/or chemical influences) |
| Altitude de-rating | 1% of power / 100 m above 1000 m, up to a max. of 3000 m above sea level |
| IP classification | IP54 for air-conditioned variant (IP34 for external circuit air conditioning unit) IP54 for air cooled variant |
| Pollution Degree | PD = 2. Non conducting pollution present, that may become temporarily conducting if moisture is present after switching off. |
| Storage temperature | -20 °C to +60 °C |
| Transport temperature | -20 °C to +70 °C |
| Maximum Vibration | 3 mm at 2 - 9 Hz, max. acceleration 0,5 g at 9 – 200 Hz |
| Maximum operating shock | 8 g, 11 ms |
| Maximum shipping shock | 15 g, 11 ms in packaging / transport box |

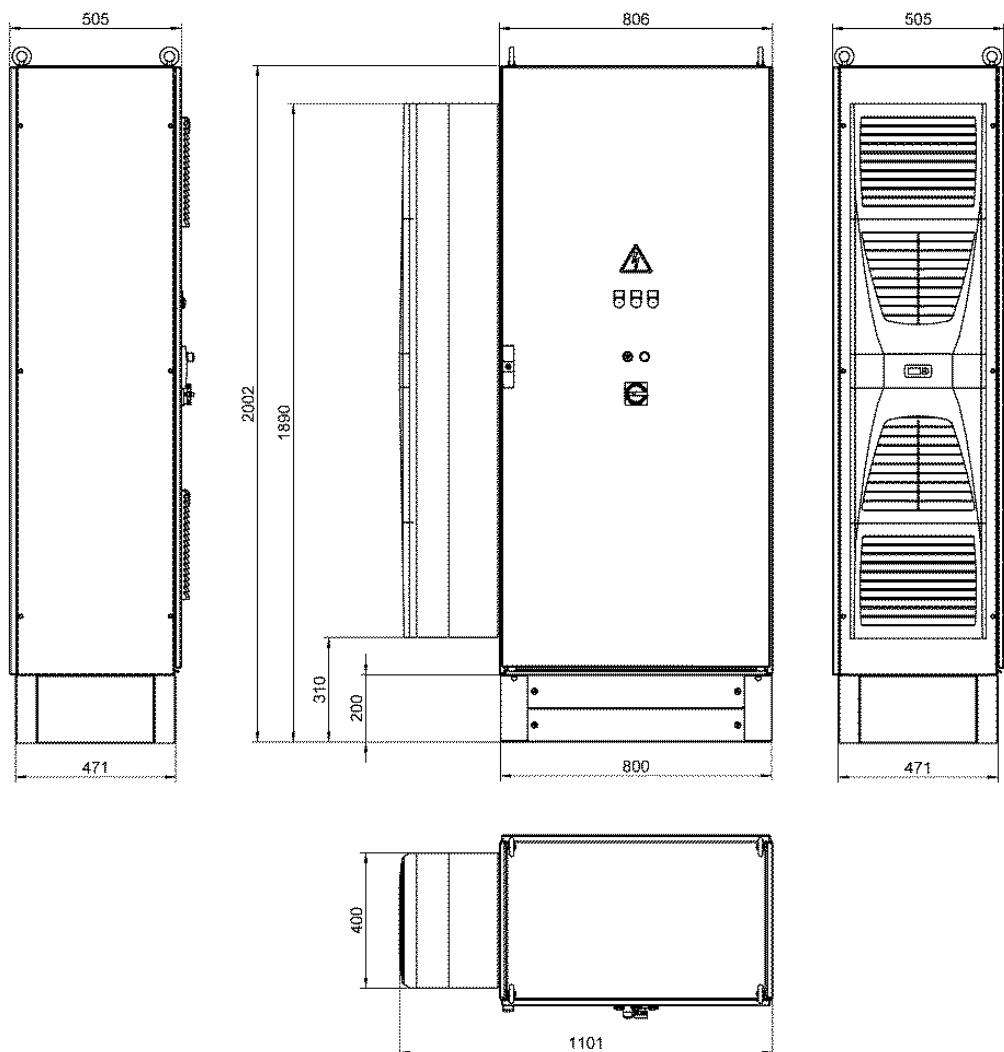
Mechanical Integration

| Category | Value |
|--------------------------------|---|
| Housing | Steel sheet housing RITTAL TS8 with door at the right |
| Locking | Standard locking for RITTAL TS8-housing |
| Door hinges | 130° opening angle |
| Dimensions | See figure |
| Housing color (outside) | RAL 7035 „light gray” |
| Housing color (inside) | RAL 7035 „light gray” |
| Housing color foundation | RAL 7022 „umbra-gray” |
| Weight (with ventilation) | ~ 240 kg |
| Weight (with air conditioning) | ~ 300 kg |

Dimensions of forced air cooling type (in mm)



Dimensions of air conditioning type (in mm)



Order numbers

| Part No. | Product Description | Packaging Unit |
|------------|---|----------------|
| 3090801-01 | POWER SUPPLY 16 kW, AIR CONDITION, IP54, 400 V, 80 A | 1 pc. |
| 3090801-02 | POWER SUPPLY 16 kW, AIR CONDITION, IP54, 400 V, 125 A | 1 pc. |
| 3090801-03 | POWER SUPPLY 16 kW, AIR CONDITION, IP54, 480 V, 80 A | 1 pc. |
| 3090801-04 | POWER SUPPLY 16 kW, AIR CONDITION, IP54, 480 V, 125 A | 1 pc. |
| 3090802-01 | POWER SUPPLY 16 kW, VENTILATOR, IP54, 400 V, 80 A | 1 pc. |
| 3090802-02 | POWER SUPPLY 16 kW, VENTILATOR, IP54, 400 V, 125 A | 1 pc. |
| 3090802-03 | POWER SUPPLY 16 kW, VENTILATOR, IP54, 480 V, 80 A | 1 pc. |
| 3090802-04 | POWER SUPPLY 16 kW, VENTILATOR, IP54, 480 V, 125 A | 1 pc. |

EFD INDUCTION AND IPT TECHNOLOGY ARE NOW ENRX.

Inductive Power Supply 35 kW

IPS04-035000

Grid Input: 400 V, 50 Hz or 480 V, 60 Hz

Track Output: 80 A, 20 kHz or 125 A, 20 kHz



Electrical Input Data for 400 V Versions

| Category | Value |
|-------------------------------|---|
| Input supply voltage | 400 V / 50 Hz, 3 Phase symmetric, neutral grounded |
| Supply voltage tolerance | +/-10% to + 10%, with proportional cont. power de-rating for input voltages lower than nominal value |
| Efficiency at rated load | 95% |
| Power factor (cos φ) | 0.85 |
| Supply current | 65 A at rated load |
| Input leakage current | 15 mA rms in standby. Typical 80 mA (light load) to 250 mA (full load). 1 A peak currents in the band 20 kHz to 1 MHz Ground leakage equipment must be rated accordingly if used. |
| Internal fuses | 80 A (ultra-rapid semiconductor) |
| Harmonic current (rated load) | 5th -8 dB, 7th -15 dB, 11th -23 dB, 13th -30 dB |



ENRX IPT® Datasheet Inductive Power Supply

Electrical Input Data for 480 V Versions

| Category | Value |
|-------------------------------|--|
| Input supply voltage | 480 V / 60 Hz, 3 Phase symmetric, neutral grounded |
| Supply voltage tolerance | +/-10% to + 10%, with proportional cont. power de-rating for input voltages lower than nominal value. |
| Efficiency at rated load | 95% |
| Power factor (cos φ) | 0.85 |
| Supply current | 55 A at rated load |
| Input leakage current | 18 mA rms in standby. Typical 80 mA (light load) to 250 mA (full load). 1 A peak currents in the band 20 kHz to 1 MHz. Ground leakage equipment must be rated accordingly if used. |
| Internal fuses | 80 A (ultra-rapid semiconductor) |
| Harmonic current (rated load) | 5th -8 dB, 7th -15 dB, 11th -23 dB, 13th -30 dB |

Electrical Output Data for 400 V and 480 V Versions

| Category | Value |
|------------------------------|---|
| Continuous output power | 35 kW |
| Overload capability | 137% (48 kW) for max. 1 minute / 10 minute at 40°C, with average load derating to 28kW |
| Output current | 80A or 125A ± 2 @ 20 kHz ± 50 Hz |
| Track inductance | for 80 A Inductive Power Supply: 58 µH (target range: 0 to + 2 µH, possible: -2 to +2 µH) for 125 A Inductive Power Supply: 26 µH (target range: 0 to + 2 µH, possible: -2 to +2 µH) |
| Nominal output voltage range | 560 - 750 V rms (80 A), 380 - 520 V rms (125 A). Overload increases the output voltage value. |
| Impedance output to PE | 36 Ohm (centre capacitively referenced) |
| Connection to primary cable | Stainless Steel M8 bolts for 35 mm ² and 20 mm ² Litz wires. Torque range 9-10 Nm. |

Physical Data of forced air cooling type

| Category | Value |
|------------------|--|
| Noise levels | During operation 57 dBA at 2 m distance in front |
| Air volume moved | 500 m ³ / hour (air recirculation) |
| Fan | 1 radial fan, 1 axial fan |

ENRX IPT® Datasheet Inductive Power Supply

Physical Data of air conditioning type

| Category | Value |
|----------------------------|--|
| Air Condition unit | Rittal TopTherm SK 3332540 |
| Fan | 1 radial fan (internal air circulation) |
| Noise Levels Air Condition | During operation 65 dBA at 2 m distance in front |

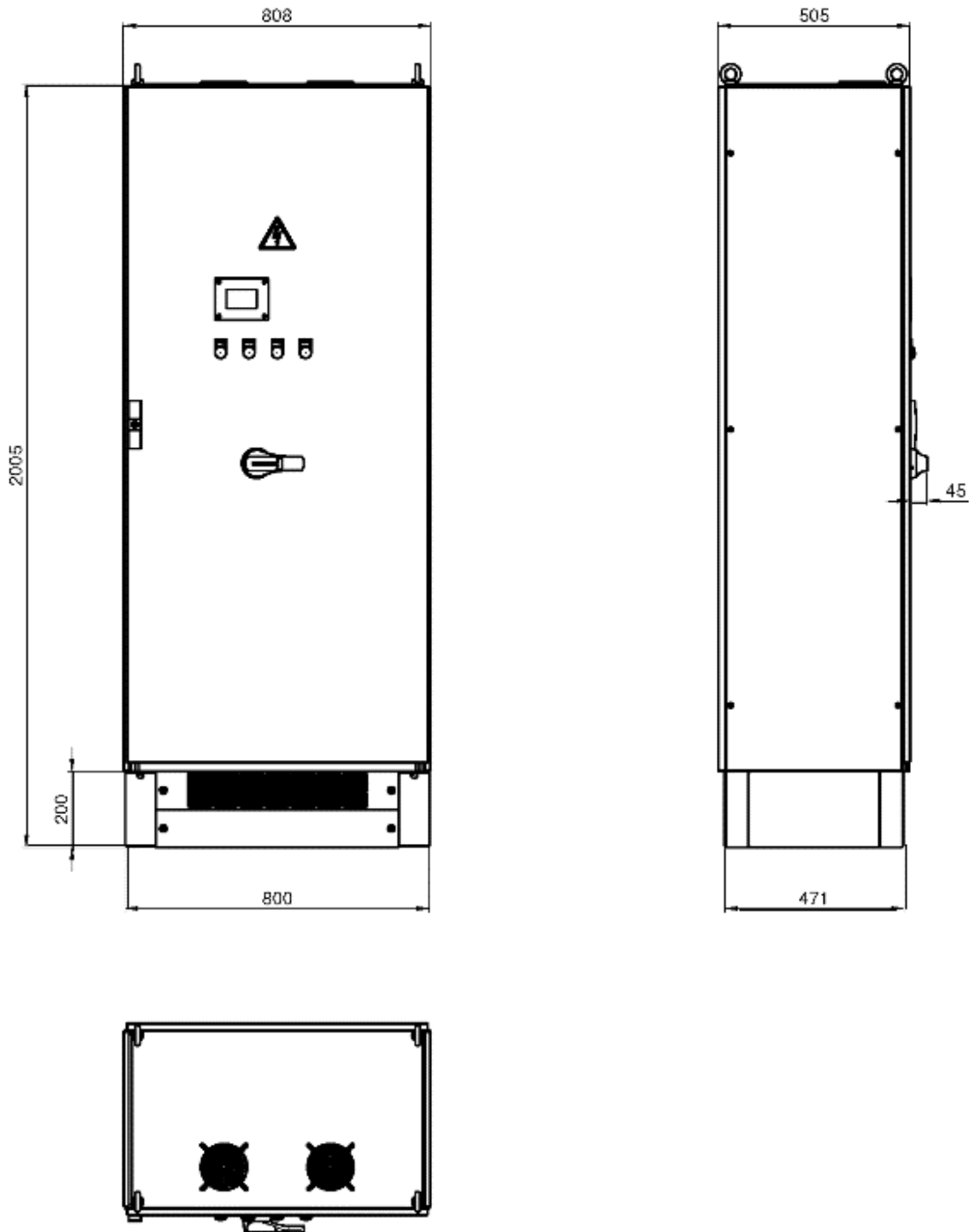
Environmental Data

| Category | Value |
|-------------------------|--|
| Ambient temperature | +0°C to +40°C, power de-rating 3% / °C between 40°C and 55°C |
| Humidity | < 90% non-condensing |
| Ambient air | No salt water, no conductive dry or wet dust (e.g. carbon fibres). Avoid extreme environment conditions (e.g., very dusty, Oily and/or chemical influences) |
| Altitude de-rating | 1% of power / 100 m above 1000 m, up to a max. of 3000 m above sea level |
| IP classification | IP 20 (limited by exhaust vents on top) |
| Storage temperature | -20°C to +60°C |
| Transport temperature | -20°C to +70°C |
| Maximum Vibration | 3 mm at 2 - 9 Hz, max. acceleration 0,5 g at 9 - 200 Hz |
| Maximum operating shock | 8 g, 11 ms |
| Maximum shipping shock | 15 g, 11 ms in packaging / transport box |

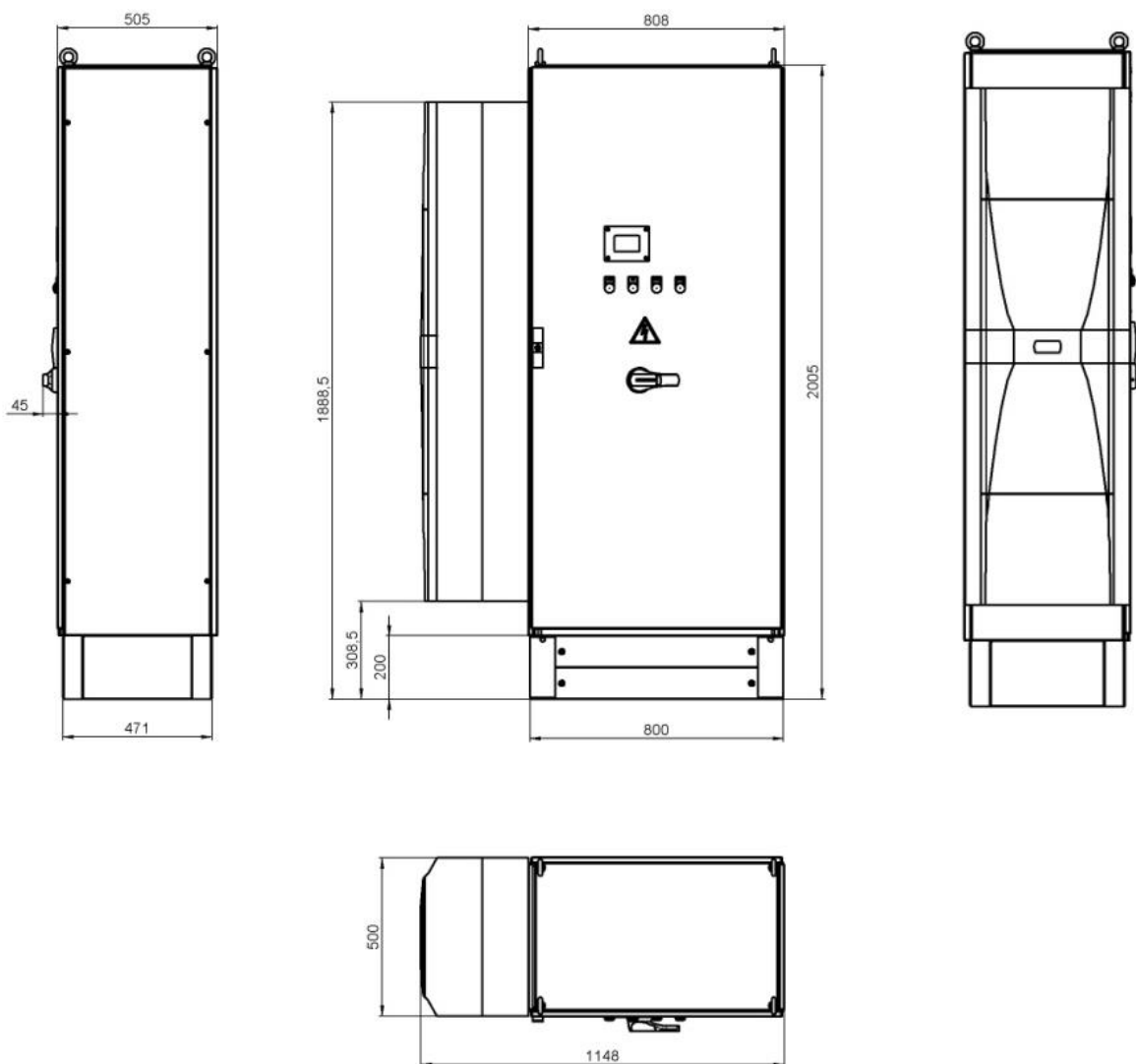
Mechanical Integration

| Category | Value |
|-----------------------------|---|
| Cabinet | Rittal VX25 with right-hand hinged front door |
| Locking | Standard locking for Rittal VX25 |
| Hinges | 130° opening angle |
| Dimensions | see the following drawing |
| Colour cabinet (outside) | RAL 7035 "lightgrey" |
| Colour cabinet (inside) | RAL 7035 "lightgrey" |
| Colour base | RAL 9005 "Jet black" |
| Weight (Forced Air Cooling) | ~ 280 kg |
| Weight (Air Condition) | ~ 370 kg |

Dimensions of forced air cooling type (in mm)



Dimensions of air condition type (in mm)



Order numbers

| Part No. | Product Description | Packaging Unit |
|------------|---|----------------|
| 3090900-01 | POWER SUPPLY 35 kW, FORCED AIR, IP20, 400 V, 80 A | 1 pc. |
| 3090900-02 | POWER SUPPLY 35 kW, FORCED AIR, IP20, 400 V, 125 A | 1 pc. |
| 3090900-03 | POWER SUPPLY 35 kW, FORCED AIR, IP20, 480 V, 80 A | 1 pc. |
| 3090900-04 | POWER SUPPLY 35 kW, FORCED AIR, IP20, 480 V, 125 A | 1 pc. |
| 3090901-01 | POWER SUPPLY 35 kW, AIR CONDITION, IP20, 400 V, 80 A | 1 pc. |
| 3090901-02 | POWER SUPPLY 35 kW, AIR CONDITION, IP20, 400 V, 125 A | 1 pc. |
| 3090901-03 | POWER SUPPLY 35 kW, AIR CONDITION, IP20, 480 V, 80 A | 1 pc. |
| 3090901-04 | POWER SUPPLY 35 kW, AIR CONDITION, IP20, 480 V, 125 A | 1 pc. |

EFD INDUCTION AND IPT TECHNOLOGY ARE NOW ENRX.

Capacity Module

CMO04-TRX



Electrical Data for Capacity Module 2.04 μ F – 2.72 μ F

| Category | Value |
|------------------------------|--|
| Current per Compensation Box | 80 A / 125 A RMS |
| Frequency | 20 kHz |
| Maximum operating voltage | 490 V AC |
| Pre-installed capacitance | 2.72 μ F |
| Minimum / Maximum capacity | 2.04 μ F / 2.72 μ F |
| Adjustable capacitances | 2.04; 2.108; 2.176; 2.244; 2.312; 2.38; 2.448; 2.516; 2.584; 2.652 and 2.72 μ F |
| Two IPT® cable glands | 20 / 35 mm ² ENRX IPT Litz cable |
| IPT® cable attachment | Soldered cable lugs M8 (Tinned copper!) |
| M8 torque | 9 Nm +0 / -1 Nm |
| M4 Metal post torque | 1 Nm +0 / -0.5 Nm |



ENRX IPT® Datasheet Capacity Module

Electrical Data for Capacity Module 3.0 µF – 8.0 µF

| Category | Value |
|------------------------------|--|
| Current per Compensation Box | 80 A / 125 A |
| Frequency | 20 kHz |
| Maximum operating voltage | 490 V AC |
| Pre-installed capacitance | 8.0 µF |
| Minimum / Maximum capacity | 3.0 µF / 8.0 µF |
| Adjustable capacitances | 3.0; 3.1; 3.3; 3.4; 3.6; 3.7; 3.9; 4.0; 4.1; 4.3; 4.4; 4.6; 4.7; 4.9; 5.0; 5.1; 5.3; 5.4; 5.6; 5.7; 5.9; 6.0; 6.1; 6.3; 6.4; 6.6; 6.7; 6.9; 7.0; 7.1; 7.3; 7.4; 7.6; 7.7; 7.9 and 8.0 µF |
| Two IPT® cable glands | 20 / 35 mm ² ENRX Litz cable |
| IPT® cable attachment | Soldered cable lugs M8 (Tinned copper!) |
| M8 torque | 9 Nm +0 / -1 Nm |
| M4 Metal post torque | 1 Nm +0 / -0.5 Nm |

Environmental Data

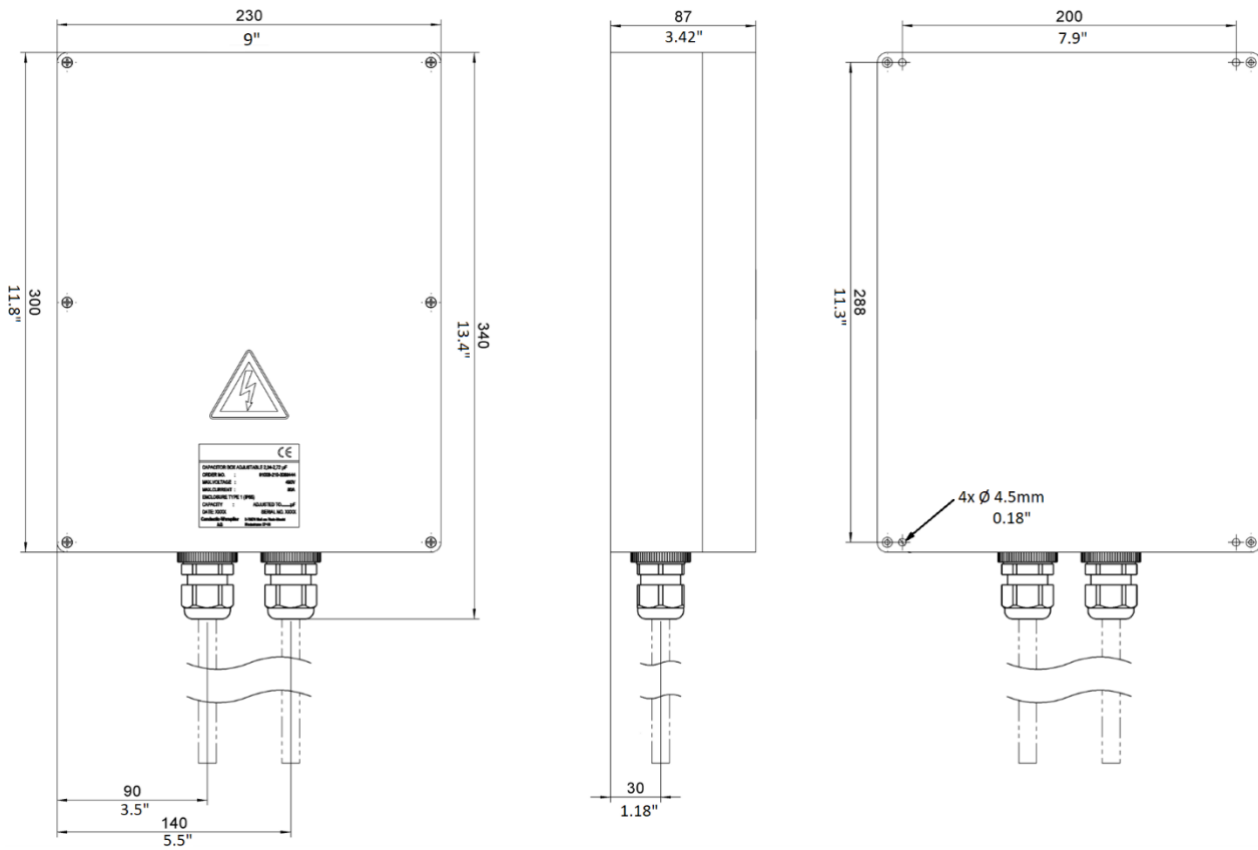
| Category | Value |
|---------------------------------|--|
| Storage temperature | - 20°C to + 60°C (-4° to 140 °F) |
| Transport temperature | - 40°C to + 80°C (-40° to 176 °F) |
| Ambient temperature (operation) | + 5°C to + 40°C measured 50 mm (2") from outside middle box (41° to 104 °F) |
| Operation | The Compensation Box may only be used in industrial environments |
| Humidity | 95%, non-condensing. |
| Chemical resistance | Any influences of chemicals must be checked. |

Mechanical Data

| Category | Value |
|------------------|--|
| Dimensions | See drawings |
| Colour | RAL 7035 |
| Weight | 3080301-01 approx. 3 kg (6.6 lbs) 3080301-02 approx. 2 kg (4.4 lbs) |
| Box Material | Polycarbonate with Polyurethane sealing ring |
| Protection Grade | IP54, with cable glands tightened around specific cable and plug in place or socket covered. Enclosure UL Type 1 |

ENRX IPT® Datasheet Capacity Module

Dimensions



Order numbers

| Part No. | Product Description | Packaging Unit |
|------------|-------------------------------------|----------------|
| 3080301-01 | CAPACITY MODULE / 3-8 μ F | - |
| 3080301-02 | CAPACITY MODULE / 2.04-2.72 μ F | - |

EFD INDUCTION AND IPT TECHNOLOGY ARE NOW ENRX.

Junction Box

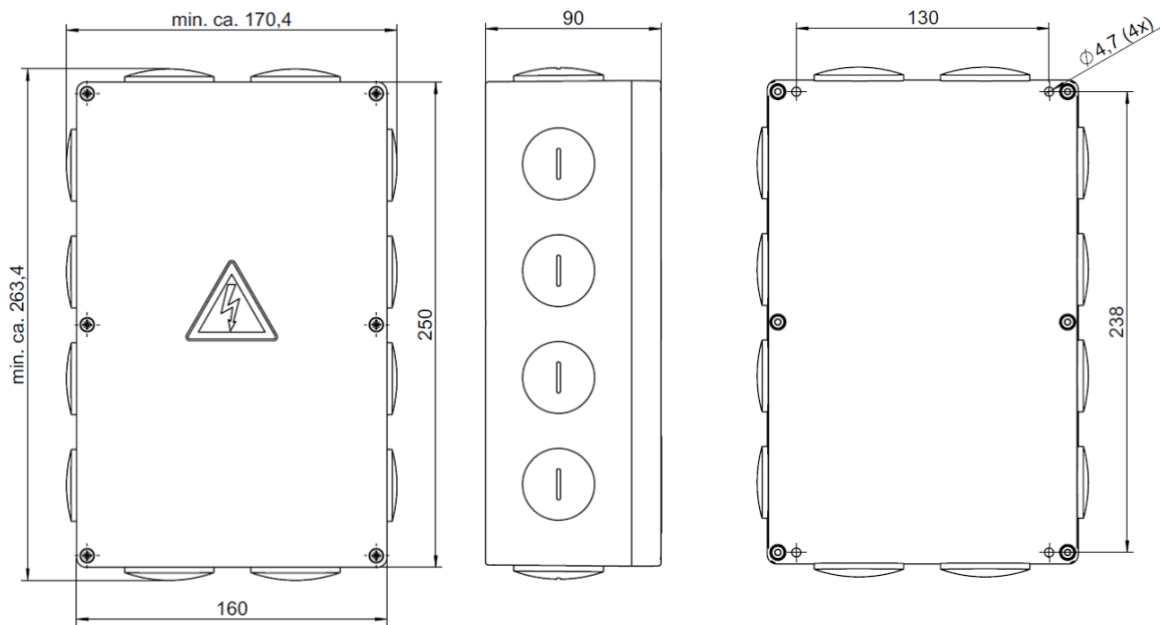


Technical Data

| Category | Value |
|-------------------------------|---|
| Storage temperature | -20°C to +60°C |
| Transport temperature | -40°C to +80°C |
| Permanent ambient temperature | +0°C to +40°C Air temperature as measured in immediate vicinity of working device. |
| Operation | For indoor operation only. |
| Humidity | < 95%, non-condensing |
| Environmental conditions | dry and clean |
| Chemical resistance | For industrial use without special conditions. Any specific influences of chemicals must be checked. |
| Protection rating | IP54 when cables are mounted, or blind plugs are in place. |
| Flammability Class | DIN 53453, UL94-V2 |
| Weight | 1.4 kg |



Mechanical Data



Order numbers

| Part No. | Product Description | Packaging Unit |
|------------|---------------------------|----------------|
| 3040705-01 | Junction Box 80 A / 125 A | - |

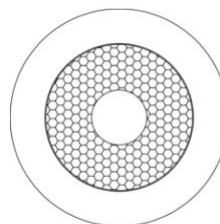
EFD INDUCTION AND IPT TECHNOLOGY ARE NOW ENRX.

Litz cable

LZC04-000020

20 mm² (for 20 kHz Application)

Construction:



Technical Data

| Category | Value |
|-----------------------|--|
| Conductor | Stranded, enamelled copper 20 mm ² |
| Center | Cotton filler |
| Jacket | PUR, abrasion resistant |
| Colour | Black (similar to RAL 9005) |
| Outer diameter | 10.6 +/- 0.3 mm |
| Conductor resistance | ≤ 0.98 Ω/km @ 20°C |
| Insulation resistance | > 20 MΩ x km @ 20°C |
| Operating Voltage | ≤ 1000 V @ 20°C |
| Test voltage (spark) | 10 kV @ 20°C |
| Temperature range | - 40° C to + 90° C (UL + 90° C) (moved) - 50° C to + 90° C (UL + 90°) (unmoved) |
| Flame resistance | According to IEC 60332-1-2 According to UL Subject 758 section 40 (horizontal flame) According to UL Subject 758 section 42 (VW-1) |
| Bending radius | ≥ 4 x cable diameter (once) ≥ 10 x cable diameter (several times) |
| Approbation | UL 12011 90° C 1000 V (internal wiring) |
| Printed Cable Code | E63216 (UL) AWM 12011 90°C 1000V – ENRX – 3080901 – MM/YYYY |
| Halogen free | According to IEC 754-1 |
| Cable weight | Approx. 250 g/m |
| Copper content | 192 g/m |

The cable is free of PVC, halogen, lead, cadmium and silicone.

The cable is free of paint-wetting impairment substances.

The jacket material is hydrolysis- and oil-resistant according to VED 0207-363-10-2.



Order numbers

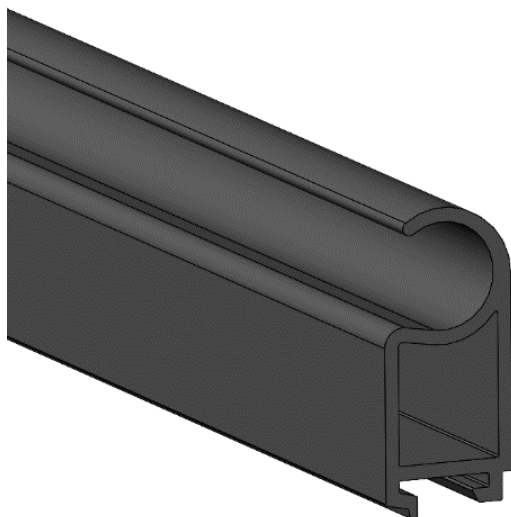
| Part No. | Product Description |
|----------|---------------------------------|
| 3080901 | LITZ CABLE / 20 mm ² |

EFD INDUCTION AND IPT TECHNOLOGY ARE NOW ENRX.

Guidance Profile 20 / Straight

GPS04-000020

ENRX IPT System: TRX04-000061

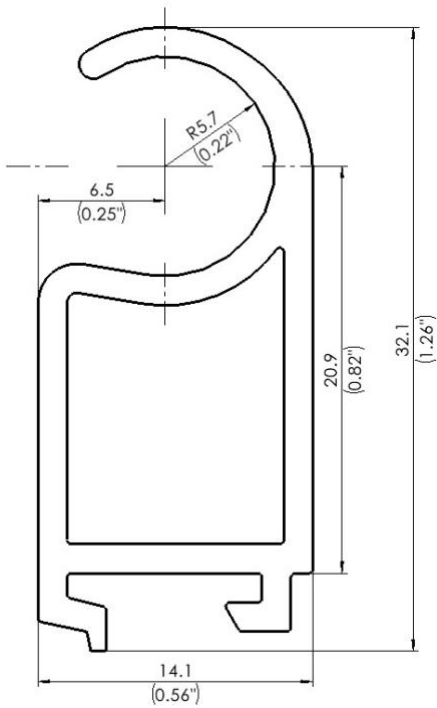


Technical Data

| Category | Value |
|--|--|
| Material | PCABS |
| Length | 4 meters (157.5") |
| Flame retardant | brominated flame retardant additives |
| PBBs and PBDEs free | |
| VICAT softening temperature at 49 N-120 °C/h | ASTM D1525/B (ISO 306/B) 80-90 °C (176 - 194°F) |
| Functional Ambient Temperature Rating | -20°C to +40°C (-4°F to +104°F) |
| Product Facts: | |
| | ENRX IPT System: TRX04-000061 |
| | This is part of a full system and installed with: |
| | <ul style="list-style-type: none"> Guidance Profile Retainer (3080600-xx) |



Dimensions



Order numbers

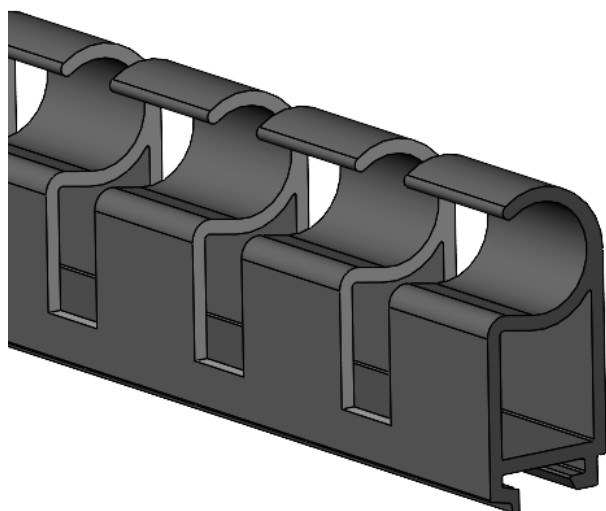
| Part No. | Product Description | Packaging Unit |
|------------|---|----------------|
| 3080801-01 | Guidance Profile 20 / L=4000mm (157.5") | - |

EFD INDUCTION AND IPT TECHNOLOGY ARE NOW ENRX.

Guidance Profile 20 / Flex

GPF04-000020

ENRX IPT System: TRX04-000061

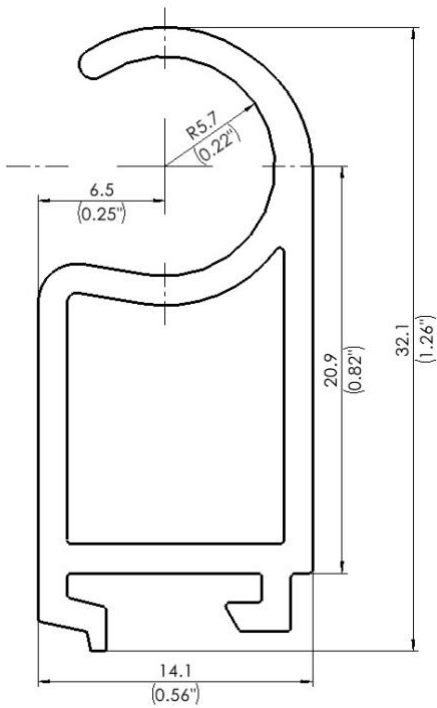


Technical Data

| Category | Value |
|--|---|
| Material | PCABS |
| Length | 2512mm (99") |
| Flame retardant | Brominated flame-retardant additives |
| PBBs and PBDEs free | |
| VICAT softening temperature at 49 N-120 °C/h | ASTM D1525/B (ISO 306/B) 80-90 °C (176 - 194°F) |
| Functional Ambient Temperature Rating | -20°C to +40°C (-4°F to +104°F) |
| Product Facts: | |
| ENRX IPT System: TRX04-000061 | |
| This is part of a full system and installed with: | |
| <ul style="list-style-type: none"> ▪ Guidance Profile Retainer (3080600-xx) | |



Dimensions



Order numbers

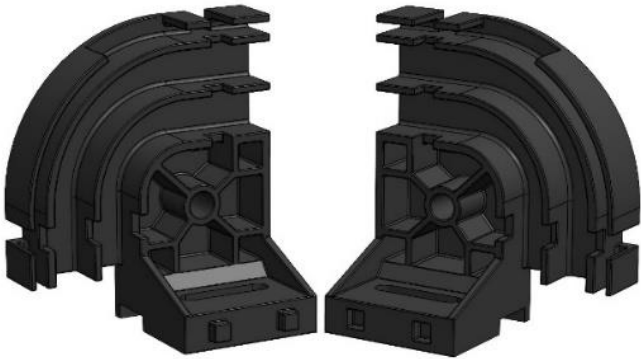
| Part No. | Product Description | Packaging Unit |
|------------|--|----------------|
| 3080801-02 | Guidance Profile 20 / L=2512mm (99"), Slotted | - |

EFD INDUCTION AND IPT TECHNOLOGY ARE NOW ENRX.

Deviation Bracket 20 / 90° / Kit

DBK04-000020

ENRX IPT System: TRX04-000061



Technical Data

Category

Value

Material

Polyamide 66 (PA66)

Functional Ambient Temperature Rating

-20°C to +40°C (-4°F to +104°F)

Product Facts:

ENRX IPT System: TRX04-000061

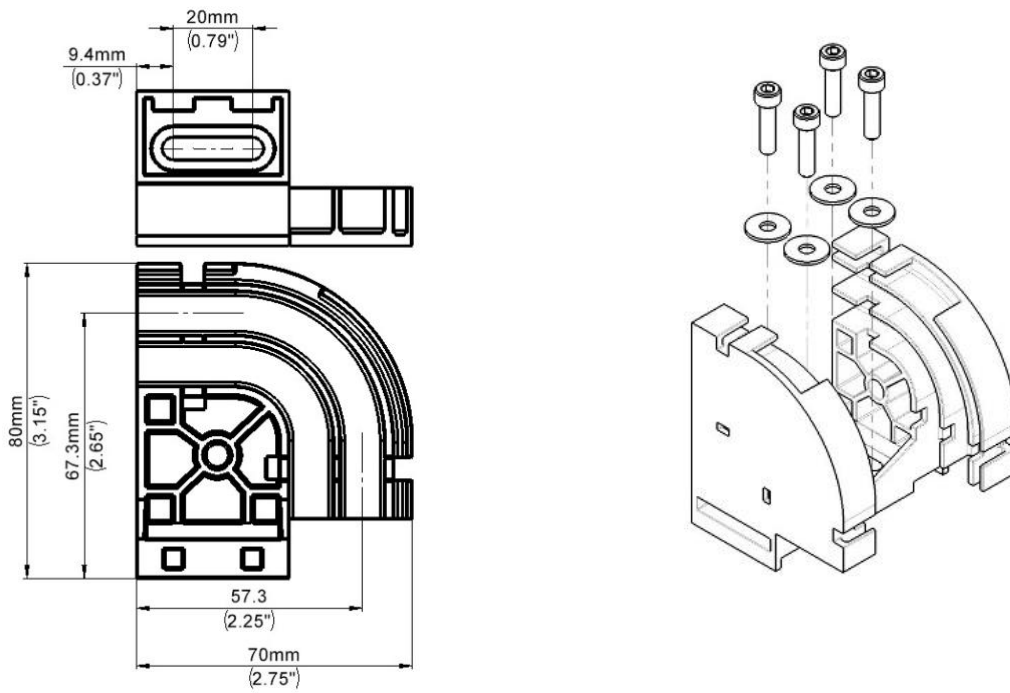
This is part of a full system

This kit includes:

- | | |
|---|------------------|
| ▪ Deviation Bracket 20 / 90° / Female | Quantity: 1 pc. |
| ▪ Deviation Bracket 20 / 90° / Male | Quantity: 1 pc. |
| ▪ Hexagon Socket Head Cap Screw A4 / M5X20 / ISO 4762 | Quantity: 4 pcs. |
| ▪ Washer A4 / M5 / ISO 7093-1 | Quantity: 4 pcs. |



Dimensions



Order numbers

| Part No. | Product Description | Packaging Unit |
|------------|----------------------------------|----------------|
| 3080501-01 | Deviation Bracket 20 / 90° / Kit | - |

EFD INDUCTION AND IPT TECHNOLOGY ARE NOW ENRX.

Guidance Profile Retainer

GPR04-000061

ENRX IPT System: TRX04-000061



Technical Data

Category**Value**

Functional Ambient Temperature Rating

-20°C to +40°C (-4°F to +104°F)

Material

Polyamide 66 (PA66)

Product Facts:

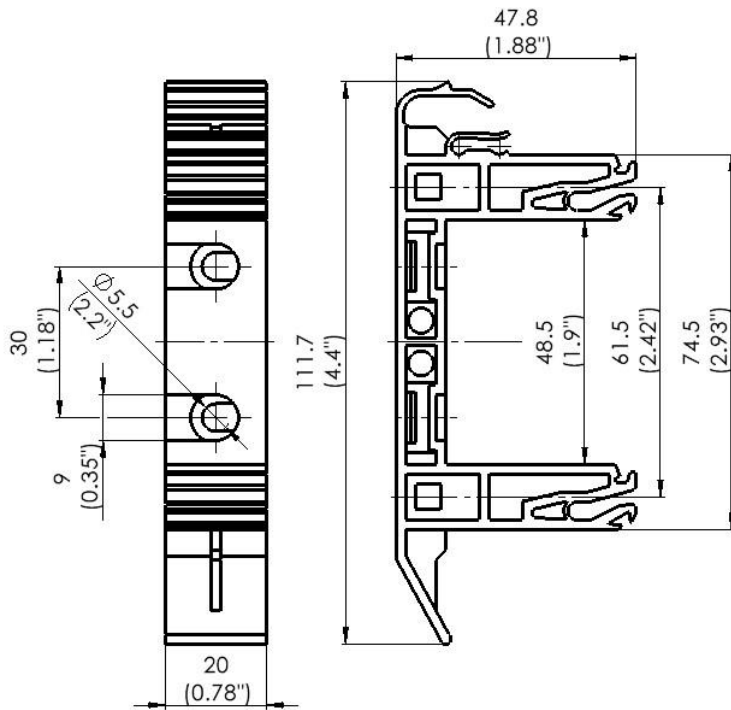
ENRX IPT System: TRX04-000061

This is part of a full system and installed with:

- Guidance Profile 35 (3080800-xx)
- Guidance Profile 20 (3080801-xx)



Dimensions



Order numbers

| Part No. | Product Description | Packaging Unit |
|------------|--|----------------|
| 3080600-01 | Guidance Profile Retainer / ASI / 61.5 | 200 pcs. |

EFD INDUCTION AND IPT TECHNOLOGY ARE NOW ENRX.

ENRX IPT® Charge Power

Rail / Floor 20 kHz

Technical
Information

ENRX IPT GmbH
Im Martelacker 14/1
79855 Efringen-Kirchen, Germany
Info.ipt@enrx.com

Technical Information of ENRX IPT products and their compatibility

28.02.2024

ENRX®

ENRX IPT® Charge Power Rail / Floor 20 kHz

ENRX IPT PRODUCTS AND THEIR COMPATIBILITY

| ENRX IPT Item No. | Compatible with ... Item No. | Compatible with ... Description | ENRX IPT Description | ENRX IPT Technical Description |
|-------------------|------------------------------|----------------------------------|------------------------|---|
| 3090901-06 | 3090901 | TRACK SUPPLY 35KW CONFIGURABLE | INDUCTIVE POWER SUPPLY | 35kW / AIR CONDITION / IP20 / 480V / 125A / ETHERNET/IP |
| 3090901-05 | 3090901 | TRACK SUPPLY 35KW CONFIGURABLE | INDUCTIVE POWER SUPPLY | 35kW / AIR CONDITION / IP20 / 480V / 125A / COLOUR SCHEME |
| 3090901-04 | 3090901 | TRACK SUPPLY 35KW CONFIGURABLE | INDUCTIVE POWER SUPPLY | 35kW / AIR CONDITION / IP20 / 480V / 125A |
| 3090901-03 | 3090901 and 3275216 | TRACK SUPPLY 35KW CONFIGURABLE | INDUCTIVE POWER SUPPLY | 35kW / AIR CONDITION / IP20 / 480V / 80A |
| 3090901-02 | 3090901 and 3275217 | TRACK SUPPLY 35KW CONFIGURABLE | INDUCTIVE POWER SUPPLY | 35kW / AIR CONDITION / IP20 / 400V / 125A |
| 3090901-01 | 3090901 and 3275214 | TRACK SUPPLY 35KW CONFIGURABLE | INDUCTIVE POWER SUPPLY | 35kW / AIR CONDITION / IP20 / 400V / 80A |
| 3090900-04 | 3090900 | TRACK SUPPLY 35KW 125A 480V | INDUCTIVE POWER SUPPLY | 35kW / FORCED AIR / IP20 / 480V / 125A |
| 3090900-03 | 3090899 | TRACK SUPPLY 35KW 80A 480V | INDUCTIVE POWER SUPPLY | 35kW / FORCED AIR / IP20 / 480V / 80A |
| 3090900-02 | 3090897 | TRACK SUPPLY 35KW 125A 400V | INDUCTIVE POWER SUPPLY | 35kW / FORCED AIR / IP20 / 400V / 125A |
| 3090900-01 | 3090896 | TRACK SUPPLY 35KW 80A 400V | INDUCTIVE POWER SUPPLY | 35kW / FORCED AIR / IP20 / 400V / 80A |
| 3090802-04 | 3130926 | TRACK SUPPLY 16KW 125A 480V IP54 | INDUCTIVE POWER SUPPLY | 16kW / VENTILATOR / IP54 / 480V / 125A |
| 3090802-03 | 3130925 | TRACK SUPPLY 16KW 80A 480V IP54 | INDUCTIVE POWER SUPPLY | 16kW / VENTILATOR / IP54 / 480V / 80A |
| 3090802-02 | 3130924 | TRACK SUPPLY 16KW 125A 400V IP54 | INDUCTIVE POWER SUPPLY | 16kW / VENTILATOR / IP54 / 400V / 125A |
| 3090802-01 | 3130923 | TRACK SUPPLY 16KW 80A 400V IP54 | INDUCTIVE POWER SUPPLY | 16kW / VENTILATOR / IP54 / 400V / 80A |
| 3090801-05 | 3130914 | TRACK SUPPLY 16KW IP54 CONFIG | INDUCTIVE POWER SUPPLY | 16kW / AIR CONDITION / IP54 / 400V / 125A / LMO |
| 3090801-04 | 3130914 | TRACK SUPPLY 16KW IP54 CONFIG | INDUCTIVE POWER SUPPLY | 16kW / AIR CONDITION / IP54 / 480V / 125A |
| 3090801-03 | 3130914 | TRACK SUPPLY 16KW IP54 CONFIG | INDUCTIVE POWER SUPPLY | 16kW / AIR CONDITION / IP54 / 480V / 80A |
| 3090801-02 | 3130914 and 3280289 | TRACK SUPPLY 16KW IP54 CONFIG | INDUCTIVE POWER SUPPLY | 16kW / AIR CONDITION / IP54 / 400V / 125A |
| 3090801-01 | 3130914 | TRACK SUPPLY 16KW IP54 CONFIG | INDUCTIVE POWER SUPPLY | 16kW / AIR CONDITION / IP54 / 400V / 80A |
| 3090800-06 | 3090677 | TRACK SUPPLY 16KW CONFIGURABLE | INDUCTIVE POWER SUPPLY | 16kW / VENTILATOR / IP20 / 400V / 80A |
| 3090800-05 | 3090677 | TRACK SUPPLY 16KW CONFIGURABLE | INDUCTIVE POWER SUPPLY | 16kW / VENTILATOR / IP20 / 440V / 125A |
| 3090800-04 | 3090676 | TRACK SUPPLY 16KW 125A 480V | INDUCTIVE POWER SUPPLY | 16kW / VENTILATOR / IP20 / 480V / 125A |
| 3090800-03 | 3090675 | TRACK SUPPLY 16KW 80A 480V | INDUCTIVE POWER SUPPLY | 16kW / VENTILATOR / IP20 / 480V / 80A |
| 3090800-02 | 3090674 | TRACK SUPPLY 16KW 125A 400V | INDUCTIVE POWER SUPPLY | 16kW / VENTILATOR / IP20 / 400V / 125A |
| 3090800-01 | 3090673 | TRACK SUPPLY 16KW 80A 400V | INDUCTIVE POWER SUPPLY | 16kW / VENTILATOR / IP20 / 400V / 80A |

ENRX IPT® Charge Power Rail / Floor 20 kHz

| ENRX IPT Item No. | Compatible with ... Item No. | Compatible with ... Description | ENRX IPT Description | ENRX IPT Technical Description |
|-------------------|------------------------------|---|----------------------------|---|
| 3090702-04 | 3130930 | TRACK SUPPLY 6KW 125A 480V IP54 | INDUCTIVE POWER SUPPLY | 6kW / VENTILATOR / IP54 / 480V / 125A |
| 3090702-03 | 3130929 | TRACK SUPPLY 6KW 80A 480V IP54 | INDUCTIVE POWER SUPPLY | 6kW / VENTILATOR / IP54 / 480V / 80A |
| 3090702-02 | 3130928 | TRACK SUPPLY 6KW 125A 400V IP54 | INDUCTIVE POWER SUPPLY | 6kW / VENTILATOR / IP54 / 400V / 125A |
| 3090702-01 | 3130927 | TRACK SUPPLY 6KW 80A 400V IP54 | INDUCTIVE POWER SUPPLY | 6kW / VENTILATOR / IP54 / 400V / 80A |
| 3090700-04 | 3090878 | TRACK SUPPLY 6KW 125A 480V | INDUCTIVE POWER SUPPLY | 6kW / VENTILATOR / IP20 / 480V / 125A |
| 3090700-03 | 3090876 | TRACK SUPPLY 6KW 80A 480V | INDUCTIVE POWER SUPPLY | 6kW / VENTILATOR / IP20 / 480V / 80A |
| 3090700-02 | 3090875 | TRACK SUPPLY 6KW 125A 400V | INDUCTIVE POWER SUPPLY | 6kW / VENTILATOR / IP20 / 400V / 125A |
| 3090700-01 | 3090873 | TRACK SUPPLY 6KW 80A 400V | INDUCTIVE POWER SUPPLY | 6kW / VENTILATOR / IP20 / 400V / 80A |
| 3080901-00 | 3025567 and 3024873 | LITZ CABLE IPT 20MM ² | LITZ CABLE | 20mm ² / 80A / PUR |
| 3080900-00 | 3033261 and 3033265 | LITZ CABLE IPT 35MM ² | LITZ CABLE | 35mm ² / 125A / PUR |
| 3080802-01 | 169942 | BODENKL. F. RUNDL. D=15MM | GUIDANCE CLAMP | 35mm ² / PP |
| 3080801-02 | 3199268 | CABLE PROFILE IPT 20MM ² SLOTTED | GUIDANCE PROFILE FLEX | 20mm ² / L=2512mm / PC-ABS |
| 3080801-01 | 3199265 | CABLE PROFILE IPT ENERGY 20MM ² | GUIDANCE PROFILE STRAIGHT | 20mm ² / L=4000mm / PC-ABS |
| 3080800-02 | 3046170 | CABLE PROFILE IPT 35MM ² SLOTTED | GUIDANCE PROFILE FLEX | 35mm ² / L=2512mm / ABS |
| 3080800-01 | 3045402 | CABLE PROFILE IPT ENERGY/DATA 35MM ² | GUIDANCE PROFILE STRAIGHT | 35mm ² / L=4000mm / ABS |
| 3080601-01 | 3103222 | TRACK HOLDER 9100 100MM CRA PC | GUIDANCE PROFILE RETAINER | 100mm / PA / CRA |
| 3080600-02 | 3092181 | TRACK HOLDER 9100 61,5MM CRA PC | GUIDANCE PROFILE RETAINER | 61.5mm / PA / CRA |
| 3080600-01 | 3046167 | TRACK HOLDER 9100 61,5MM CLI PA | GUIDANCE PROFILE RETAINER | 61.5mm / PA / ASI |
| 3080501-01 | 3058417 | FEED HOLDER 90° 2X20 MM ² COMPL. KIT | DEVIATION BRACKET | 20mm ² / 80A / PA / 90° / KIT |
| 3080500-01 | 3058418 | FEED HOLDER 90° 35 MM ² COMPL. KIT | DEVIATION BRACKET | 35mm ² / 125A / PA / 90° / KIT |
| 3080401-01 | 3101366 | BASE HOLDER IPT CRA 100MM G3 | DEVIATION BRACKET RETAINER | 100mm / PA / CRA |
| 3080400-01 | 3092182 | BASE HOLDER IPT CRA 61,5MM G3 | DEVIATION BRACKET RETAINER | 61.5mm / PA / CRA |
| 3080301-02 | 3101180 | CAPACITOR BOX 80A ADJUSTABLE 2,04-2,72µF | CAPACITOR MODULE | 2.04-2.72µF |
| 3080301-01 | 3055524 | CAPACITOR BOX 80A ADJUSTABLE 3-8µF | CAPACITOR MODULE | 3.00-8.00µF |
| 3080301-02 | 3088444 | CAPACITOR BOX 125A ADJUSTABLE 2,04-2,72µF | CAPACITOR MODULE | 2.04-2.72µF |
| 3080301-01 | 3088445 | CAPACITOR BOX 125A ADJUSTABLE 3-8µF | CAPACITOR MODULE | 3.00-8.00µF |
| 3080300-02 | 3047041 | TUNING BOX 80A RAL7035 | INDUCTANCE MODULE | 80A |
| 3080300-01 | 3047042 | TUNING BOX 125A RAL7035 | INDUCTANCE MODULE | 125A |

ENRX IPT® Charge Power Rail / Floor 20 kHz

| ENRX IPT Item No. | Compatible with ... Item No. | Compatible with ... Description | ENRX IPT Description | ENRX IPT Technical Description |
|-------------------|------------------------------|--|---------------------------|--------------------------------|
| 3070900-01 | 3090986 | E-PICKUP 4KW 40%ED 1150MM Q4/2 | E-PICKUP | 1.5kW / S / L=1150mm / IL |
| 3070800-08 | 3093037 and 3112884 | E-PICKUP 1,5KW L=420MM 135° | E-PICKUP | 1.5kW / A135° / L=420mm / IL |
| 3070800-07 | 3093037 and 3192260 | E-PICKUP 1,5KW L=420MM 90° | E-PICKUP | 1.5kW / A90° / L=420mm / IL |
| 3070800-06 | 3093037 and 3275233 | E-PICKUP 1,5KW CONFIGURABLE | E-PICKUP | 1.5kW / A45° / L=420mm / IL |
| 3070800-05 | 3093037 | E-PICKUP 1,5KW CONFIGURABLE | E-PICKUP | 1.5kW / S / L=420m / IL |
| 3070800-04 | 3093037 | E-PICKUP 1,5KW CONFIGURABLE | E-PICKUP | 1.5kW / A135° / L=1150mm / IL |
| 3070800-03 | 3093037 | E-PICKUP 1,5KW CONFIGURABLE | E-PICKUP | 1.5kW / A90° / L=1150mm / IL |
| 3070800-02 | 3093037 | E-PICKUP 1,5KW CONFIGURABLE | E-PICKUP | 1.5kW / A45° / L=1150mm / IL |
| 3070800-01 | 3093037 and 3198705 | E-PICKUP 1,5KW 40%ED 1150MM Q4/2 | E-PICKUP | 1.5kW / S / L=1150m / IL |
| 3070700-02 | 3187694 | E-PICKUP 750W 560V 1000MM HAN8D PLUG 90° VA | E-PICKUP | 750W / S / L=1000mm / HA |
| 3070700-01 | 3014957 | E-PICKUP 750W 560V 1000MM IEC HAN8D PLUG 90° | E-PICKUP | 750W / S / L=1000mm / HA |
| 3060900-02 | 3090871 | REGULATOR 4kW 560VDC 40%ED+24VDC, EMS | INDUCTIVE POWER REGULATOR | 4kW / 560VDC / IL / TUNING |
| 3060900-01 | 3090872 | REGULATOR 4KW 560VDC 40%ED+24VDC, AIR | INDUCTIVE POWER REGULATOR | 4kW / 560VDC / IL |
| 3060800-05 | 3093036 | REGULATOR CONFIGURABLE 48V-70V DC | INDUCTIVE POWER REGULATOR | 1.5kW / 48VDC / IL |
| 3060800-04 | 3093036 and 3188088 | REGULATOR 1,2KW 54V DC | INDUCTIVE POWER REGULATOR | 1.5kW / 54VDC / IL |
| 3060800-03 | 3093036 | REGULATOR CONFIGURABLE 48V-70V DC | INDUCTIVE POWER REGULATOR | 1.5kW / 60VDC / IL |
| 3060800-02 | 3093036 and 3198704 | REGULATOR 1,5KW 65V DC | INDUCTIVE POWER REGULATOR | 1.5kW / 65VDC / IL |
| 3060800-01 | 3093036 | REGULATOR CONFIGURABLE 48V-70V DC | INDUCTIVE POWER REGULATOR | 1.5kW / 70VDC / IL |
| 3060700-01 | 3175287 | REGULATOR 750W 560V IP54 | INDUCTIVE POWER REGULATOR | 750W / 560VDC / HA |
| 3050900-03 | 3050780 | F-PICKUP 2,5KW 560V DC+INTERFACE, TOP | PICKUP REGULATOR | 2.5kW / 560VDC / IL / TOP |
| 3050900-02 | 3203145 | F-PICKUP 2,5KW 560V DC + IF, SIDE 90° | PICKUP REGULATOR | 2.5kW / 560VDC / IL / SIDE 90° |
| 3050900-01 | 3050777 | F-PICKUP 2,5KW 560V DC+INTERFACE, SIDE | PICKUP REGULATOR | 2.5kW / 560VDC / IL / SIDE |
| 3050800-02 | 3108051 | F-PICKUP 750W 24V CQF 04/2 REGLER III | PICKUP REGULATOR | 750W / 24VDC / IL / SIDE |
| 3050800-01 | 3124850 | F-PICKUP 750W 27V CQF 04/2 REGLER III | PICKUP REGULATOR | 750W / 27VDC / IL / SIDE |